

CWS/CMS ENTITY RELATIONSHIP DIAGRAM

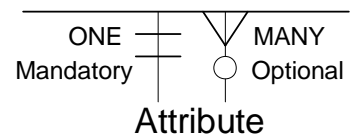
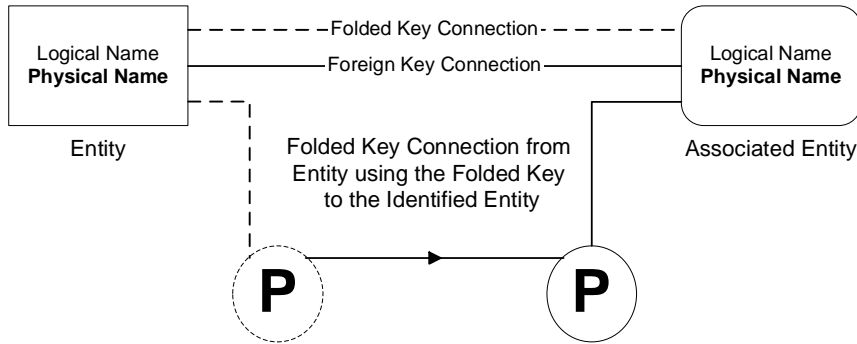
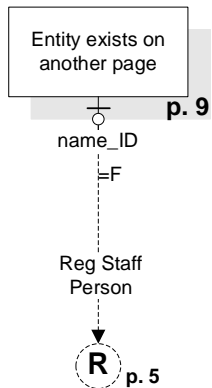


TABLE OF CONTENTS

- 1 - INTAKE
- 2 - CLIENT
- 3 - CASE
- 4 - PLACEMENT
- 5 - COURT
- 6 - DELIVERED SERVICES
- 7 - PLACEMENT HOME
- 8 - STAFF PERSON
- 9 - COUNTY OWNERSHIP
- 10 - SYSTEM TABLES
- 11 - FINGERPRINT
- 12 - ARCHIVE
- 13 - ADOPTIONS
- 14 - TICKLES
- 15 - HEALTH AND EDUCATION
- 16 - CHILD CLIENT



Folded Key type is found in name_CD where name_ID holds Folded Key Identifier type =F for Client. See Folded Key document for a table cross-referencing name_ID and name_CD.

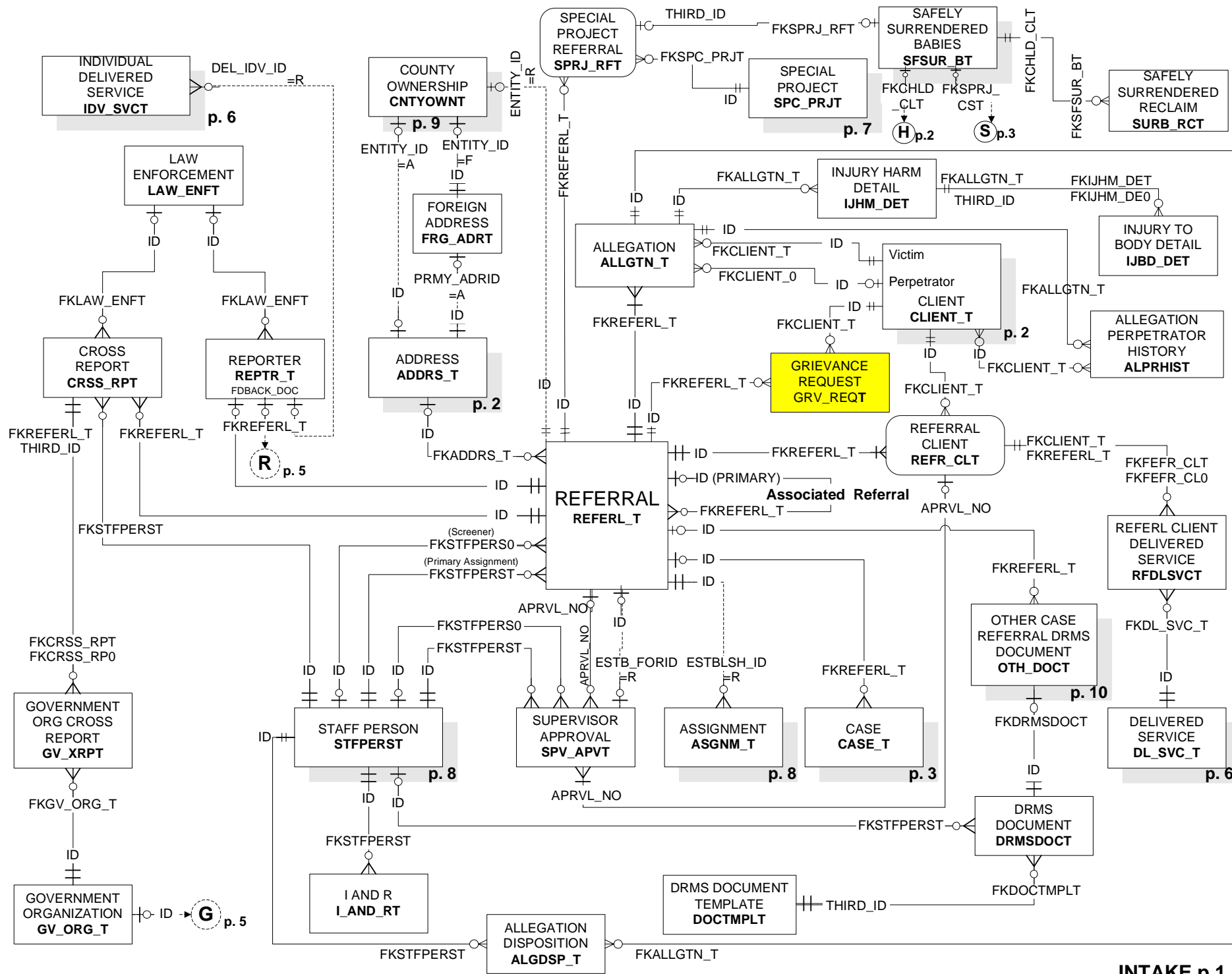
Reference to data usage

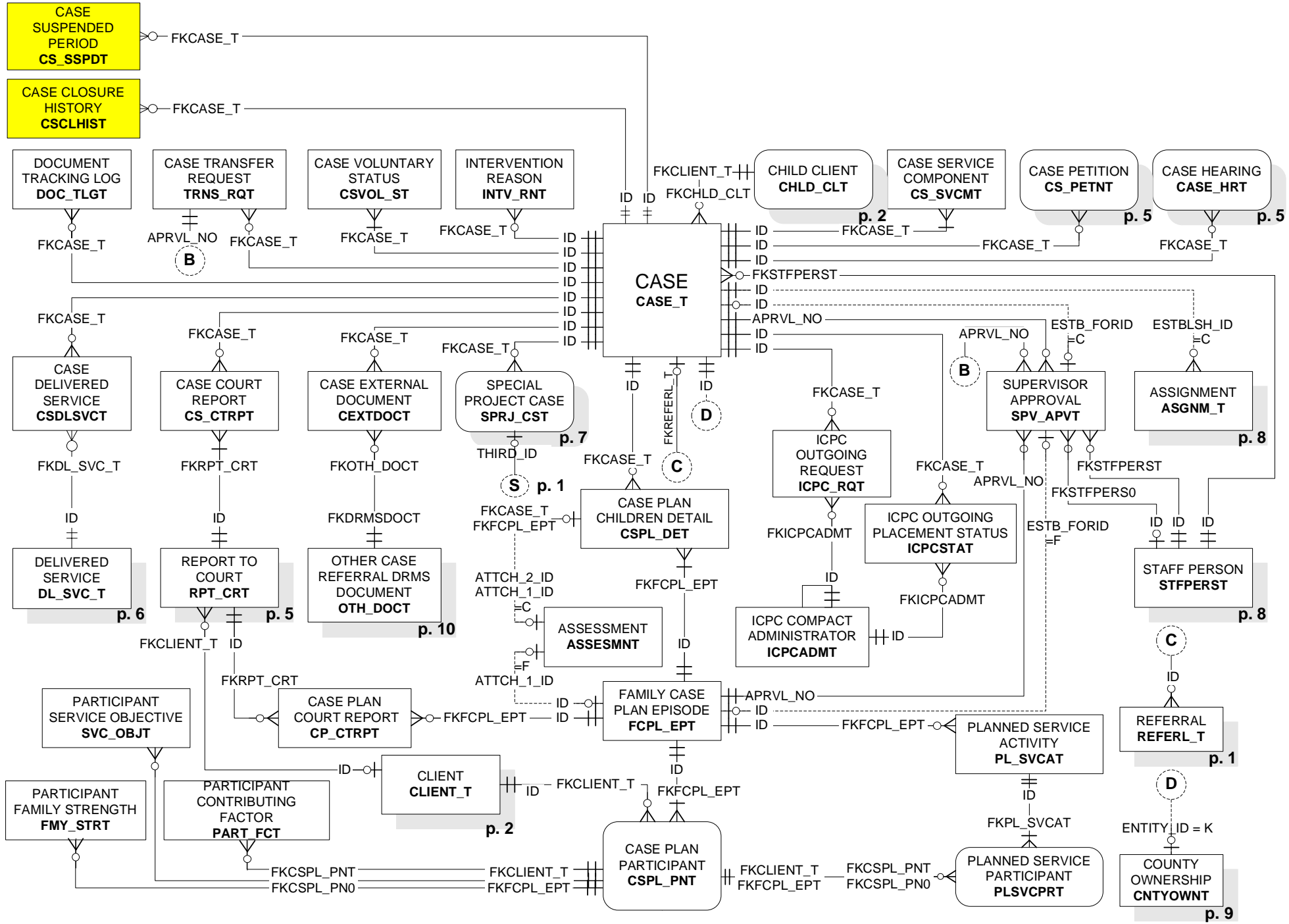
Off page Connection

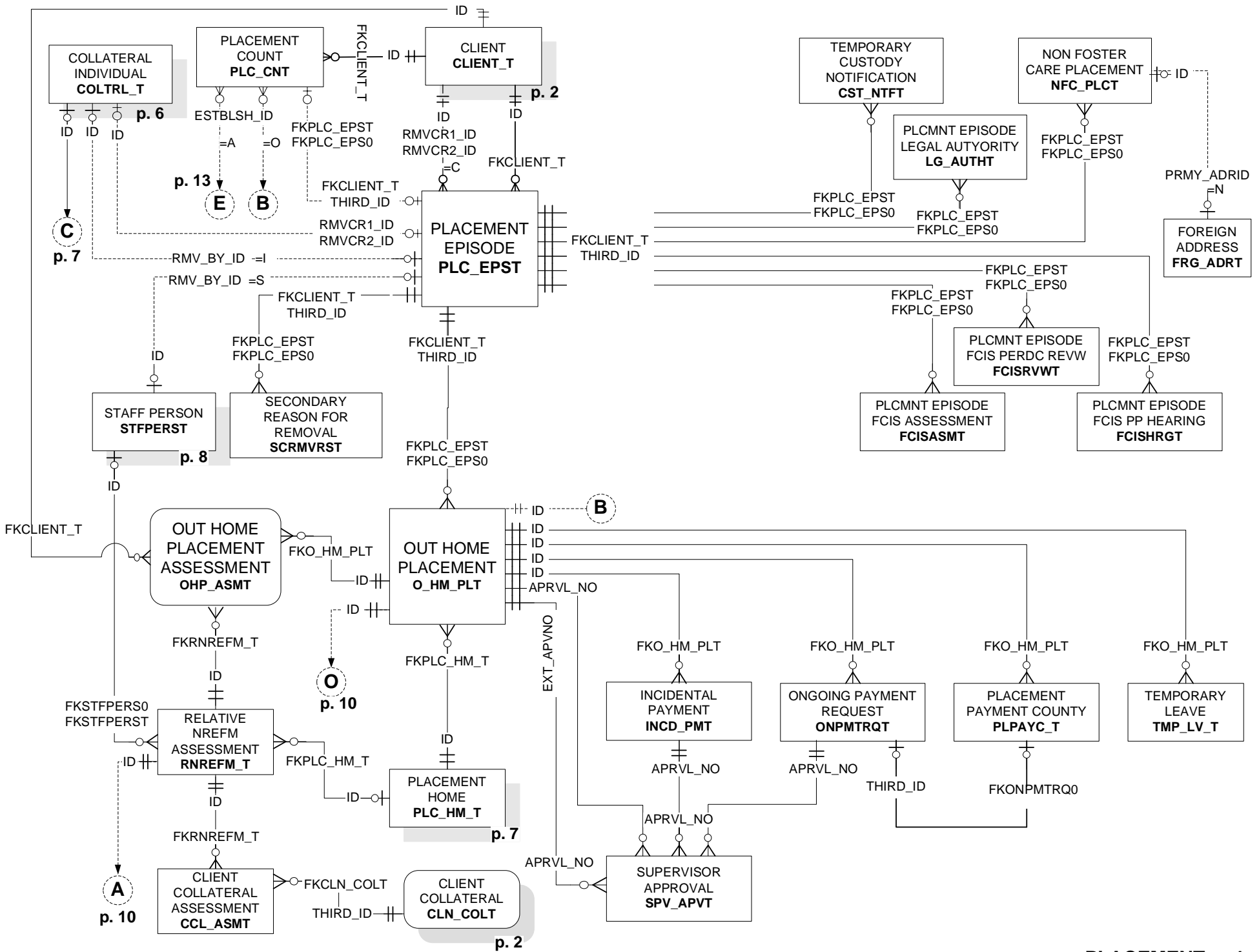
- or -

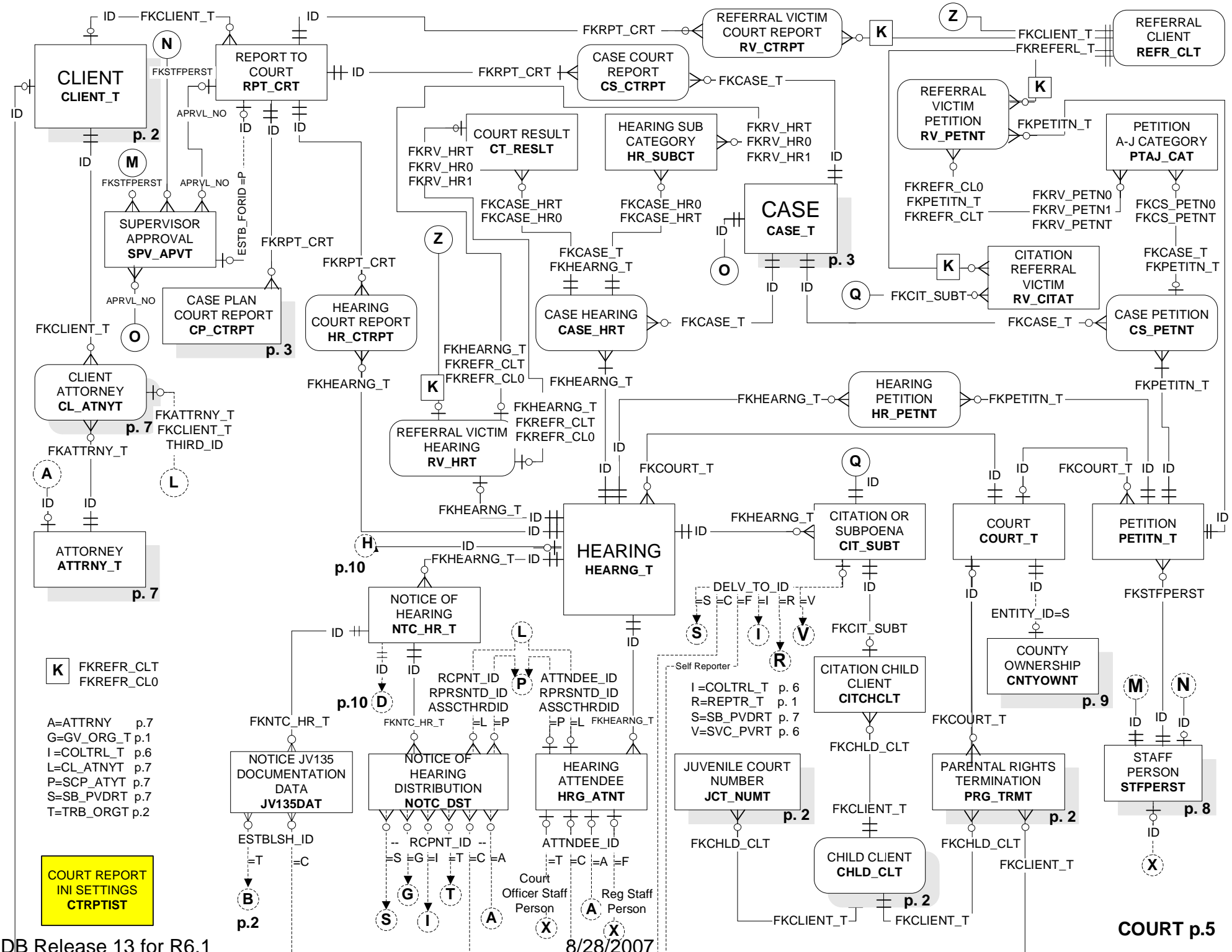
Off page Folded Key Connection

F=CLIENT_T p. 2





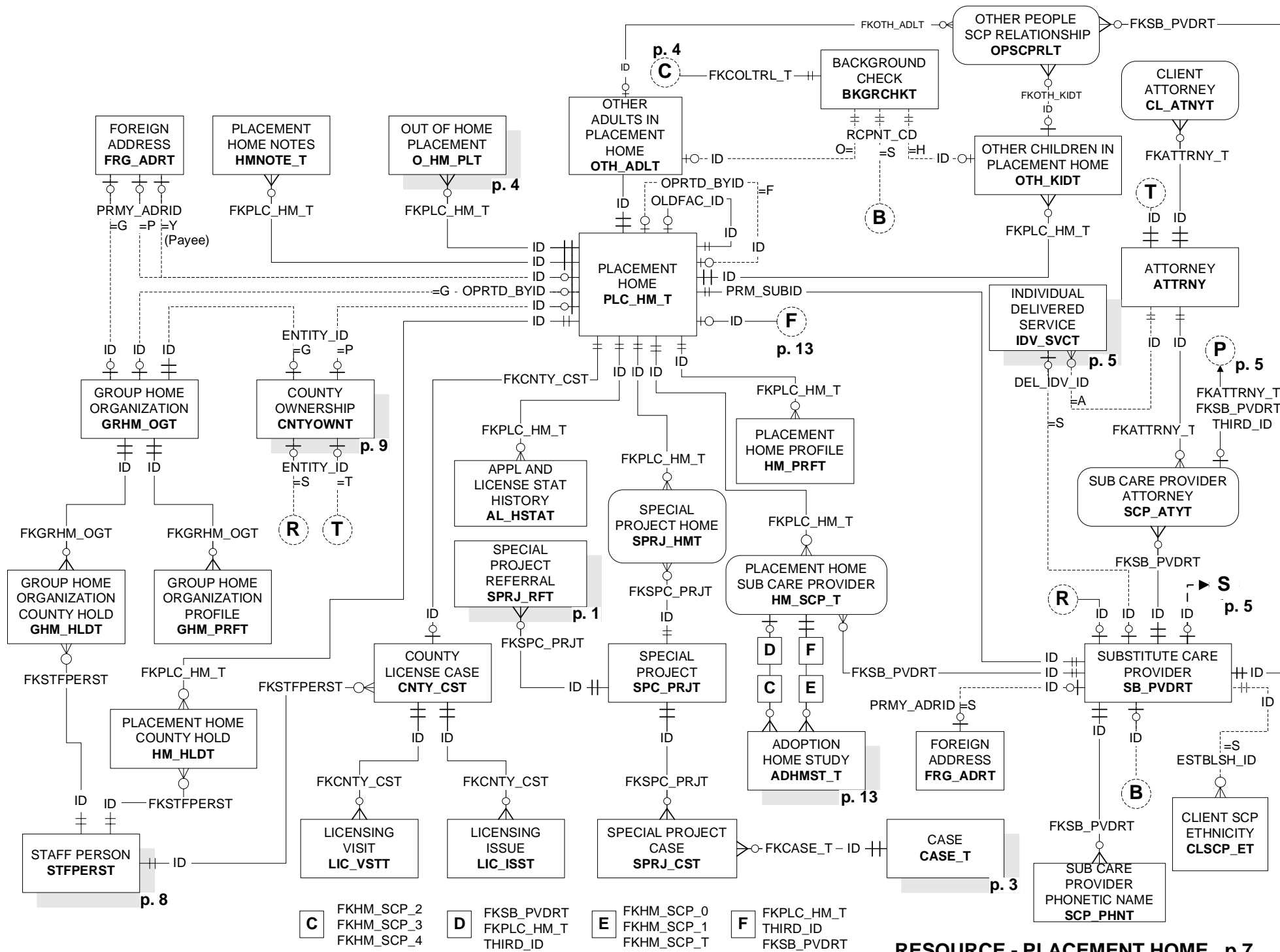




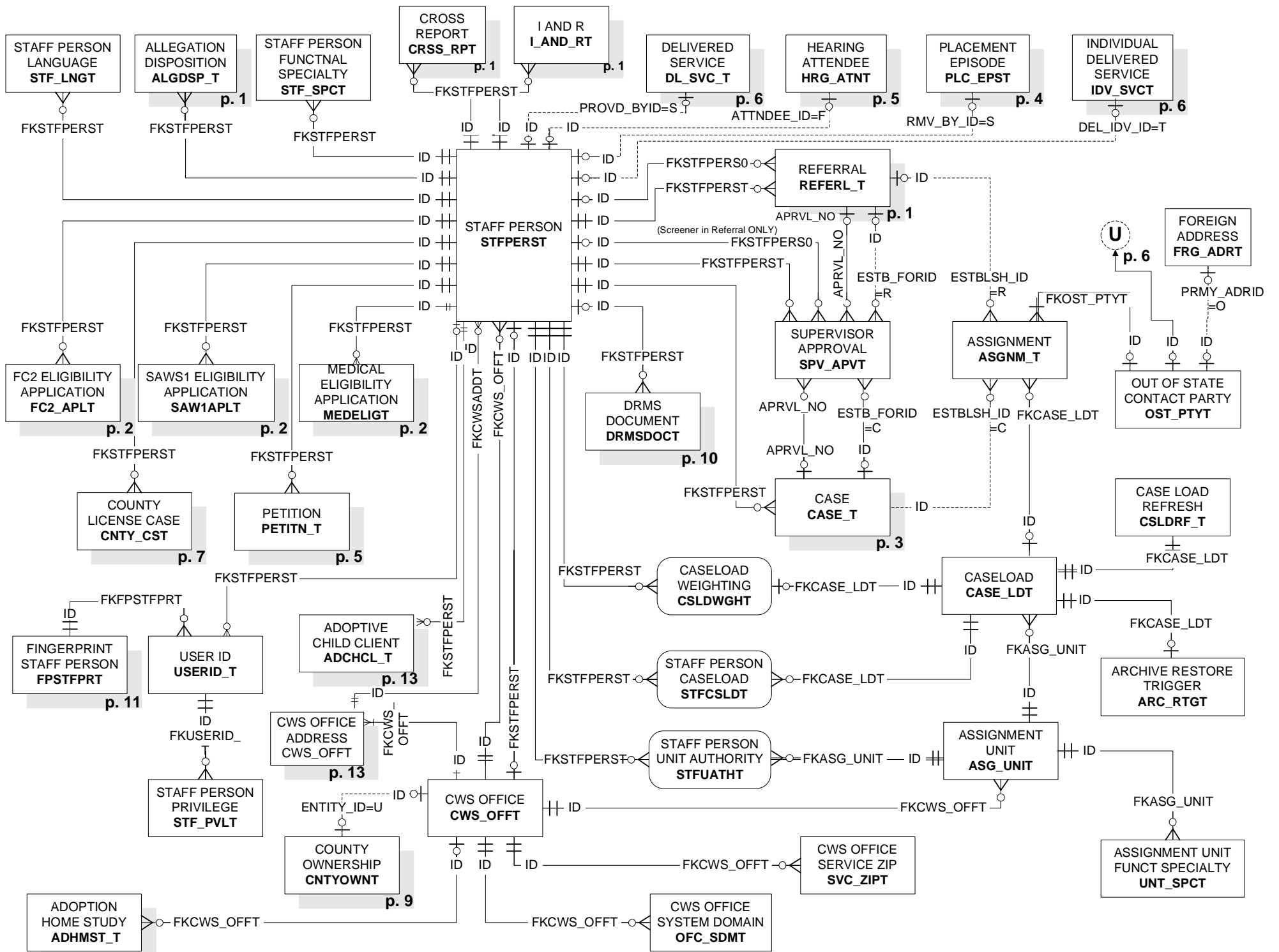
K FKREFR_CLT
FKREFR_CL0

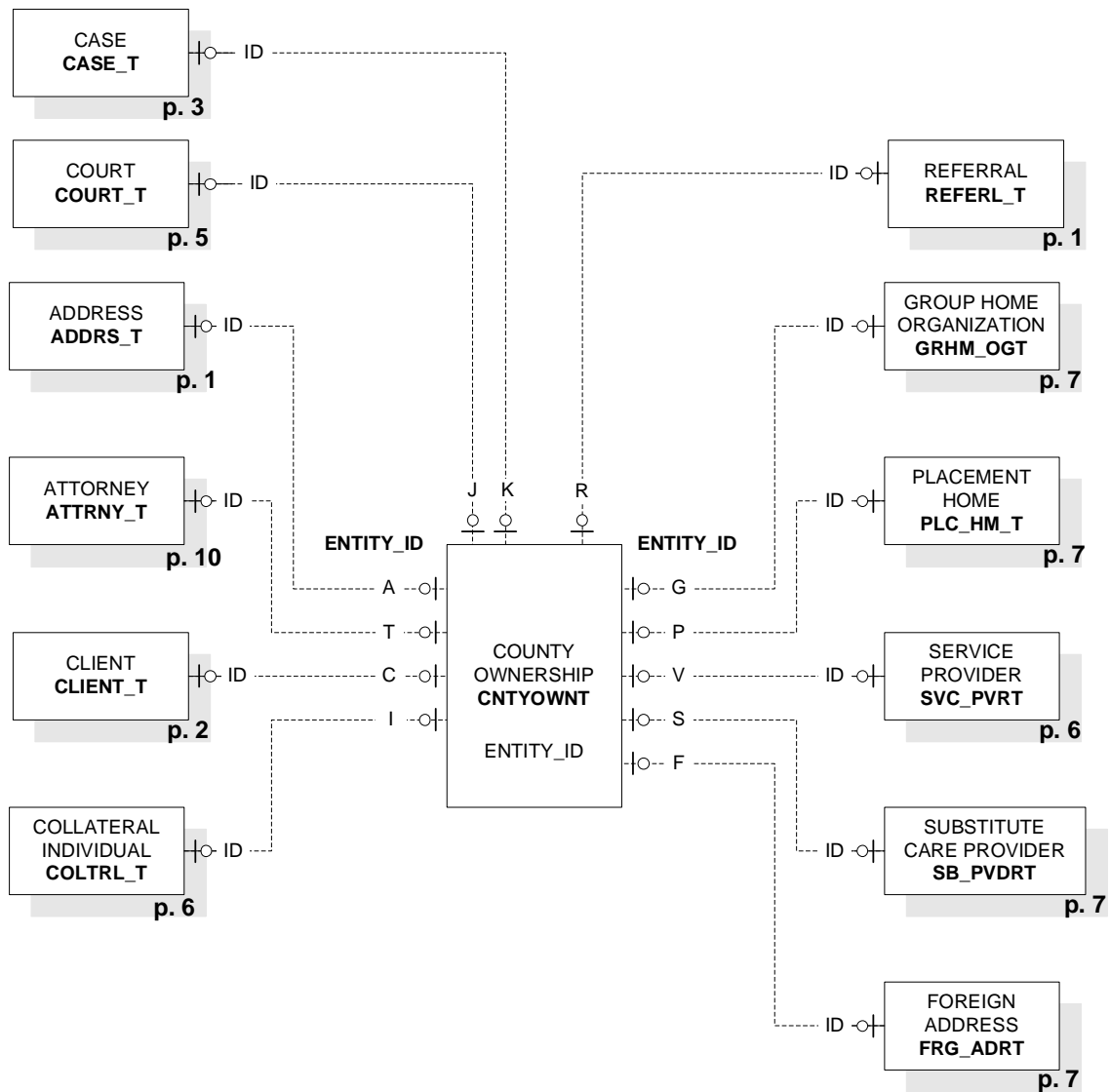
A=ATTRNY p.7
G=GV_ORG_T p.1
I=COLTRL_T p.6
L=CL_ATNYT p.7
P=SCP_ATYT p.7
S=SB_PVDRT p.7
T=TRB_ORGT p.2

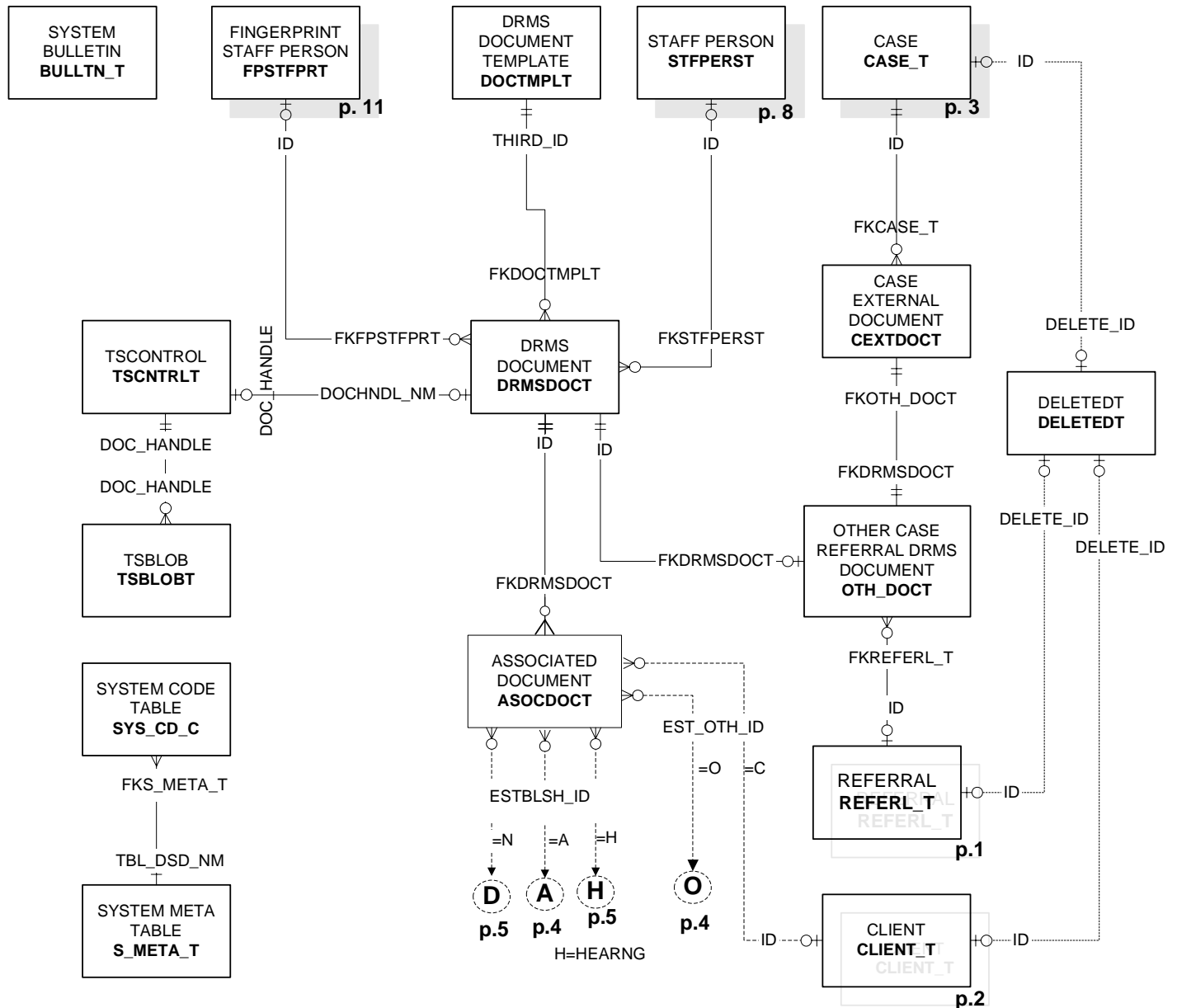
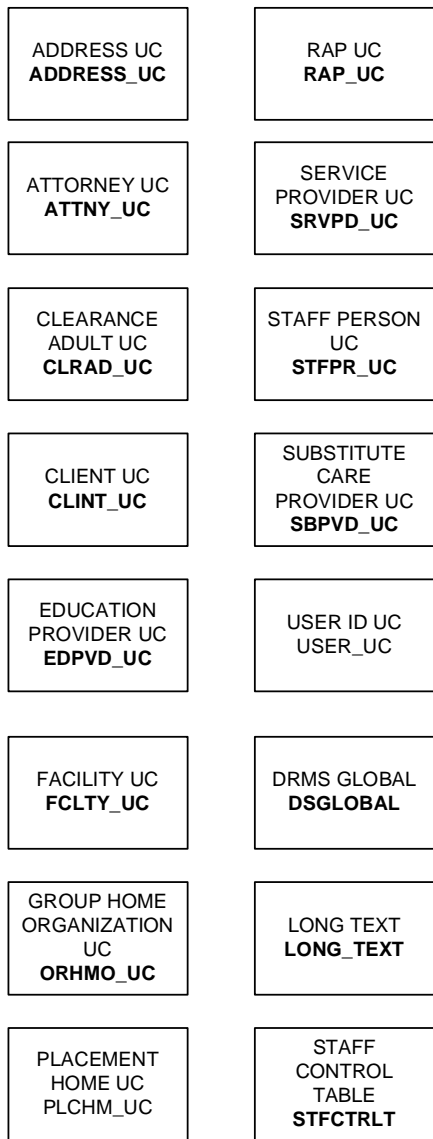
**COURT REPORT
INI SETTINGS
CTRPTIST**



RESOURCE - PLACEMENT HOME p.7







SYSTEM ADMINISTRATION - SYSTEM TABLES p.10

